



Chroma-Q®
BRILLIANT SOLUTIONS

Specification Sheet - Version: 1.7
Chroma-Q® Space Force
Low Profile, Lightweight, & Powerful
Part No: CHSPFV

DESCRIPTION

The Chroma-Q® Space Force™ is a cutting-edge variable white LED Space Light fixture that is a modern replacement for conventional space lights and soft light source commonly used in Film and TV studios around the world. Extensive RDM functionality through wired or the optional Lumen Radio CRMX connections. Hanging options include a standard bridle, optional yoke and a low-profile hanging bracket.

Uses the same proven convection cooling technology found in other Chroma-Q LED models - which eliminates the need for noisy cooling fans - the Space Force provides totally silent running in operation.

As a result of its low profile, lightweight and skirt-free design, the Space Force is quick and easy to set up at any height.

FEATURES

- Comparable to a traditional 6kW fixture
- Up to 26,700 lumens
- Variable white – 2,800K to 6,500K
- Only 8kg / 17.6lb
- No fans, no noise
- Smooth, soft uniform beam
- Variable PWM for flicker-free operation
- Multiple hanging options
- Wireless DMX / RDM
- Superior unit-to-unit consistency
- Chroma-Q's proven LED performance

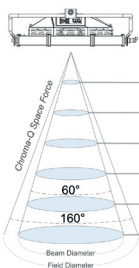
ORDERING INFORMATION

CHSPFV: Chroma-Q Space Force Variable w Bridle
CHSPFVLR: Chroma-Q Space Force Variable w Bridle LumenRadio Installed

ACCESSORIES

- CHSPFSY: Manual Yoke
- CHSPFHB: Low Profile Hanging Bracket
- CHSPFMS: Black Mini Skirt
- CHSPFCK: Cyc Skirt / Silk
- CHSPFSEC: Soft Egg Crate
- CHSPFSTK: Soft Target Kit - for use with a skirt Full, 1/2, 1/4, 1/8
- CHSPFSL: Soft Lantern
- CHSPFB: Bridle – included with fixture
- CHSPFLR: LumenRadio – user installed

PHOTOMETRICS



Throw Distance	Beam Spread		Field Spread		3200K		4700K		5600K		
	M	FT	M	FT	LUX*	FC*	LUX*	FC*	LUX*	FC*	
1	3.28	1.6	5.25	11	36.09	10,744	998.15	12,884	1,195.10	12,886	1,197.15
2	6.56	3.2	10.50	22	72.18	2,686	249.54	3,216	298.78	3,222	299.29
3	9.84	4.8	15.75	33	108.27	1,194	110.91	1,429	132.79	1,432	133.02
4	13.12	6.4	21.00	44.1	144.69	672	62.38	804	74.69	805	74.82
5	16.40	8.1	26.57	55.1	180.77	430	39.93	515	47.81	515	47.88
6	19.69	9.7	31.82	66.1	216.86	298	27.72	357	33.19	358	33.25

*measured at centre of beam

OVERALL SPECIFICATIONS

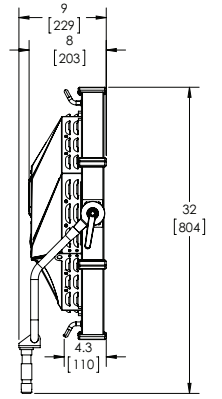
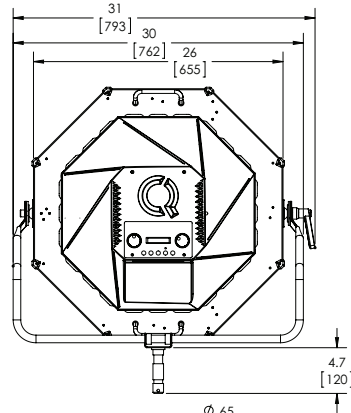
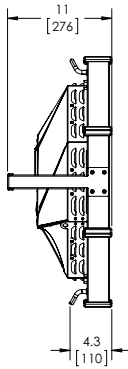
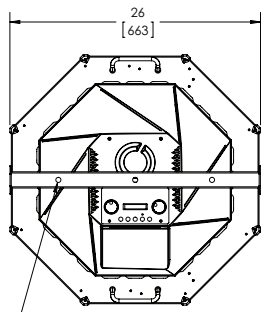
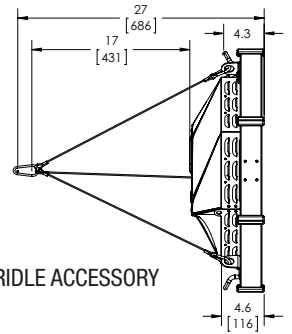
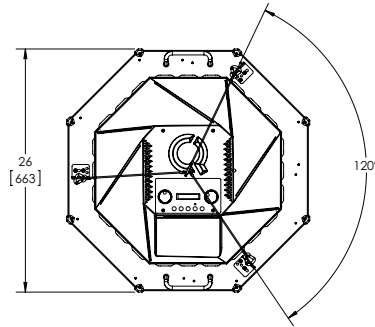
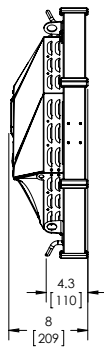
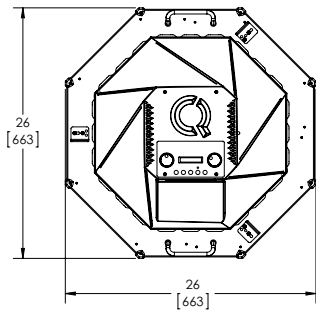
Net Dimensions (without fixings):	Width: 655mm / 25.8" Height: 203mm / 8" Depth: 655mm / 25.8"
Net Weight:	8kg / 17.6lb
Shipping Dimensions:	Width: 737mm / 29" Height: 737mm / 29" Depth: 254mm / 10"
Shipping Weight:	11kg / 24lb
Power Supply:	Built-in
Power Input Rating:	100-240V AC 50-60Hz 400VA
Power Factor:	0.97
Power Consumption:	333W @ 120V AC, 331W @ 230V AC
Inrush Current:	56A @ 120V AC, 82A @ 230V AC
Idle Power Consumption:	18W @ 120/230V AC
Residual Current (max.):	0.4 mA
Typical Power & Current:	Measurements done with all LEDs at maximum intensity. Measurements made at nominal voltage. Allow for a deviation of +/- 10%.
Power Connectors In/Out:	powerCON TRUE1
Data Connectors In/Out:	XLR 5-pin
Control Protocol:	ANSI E1.20 RDM over ANSI E1.11 USITT DMX 512-A
Cooling System:	Convection
Operating Temperature:	0°C to 40°C
Construction:	Powder Coated Aluminium
Colour:	Black / Gray
Built-In Hardware:	Suspension Hanger Brackets
IP Rating:	IP20
Approvals:	CISPR 22:2008 / EN55022:2010 (Class A), & CISPR 24:2010 / EN55024:2010, FCC Part 15 Subpart B:2015, ICES-003:2012; UL 1573:2003 / R:2014-01, CSA C22.2 160-M1983 IEC 60598
No.	160-M1983 IEC 60598
Control Modes:	Manual Intensity / Colour Temperature, 2 Channel Intensity / Colour Temperature, Focus, Link, Memory 1 / 2, Addressing
Dimming Curve:	Theatrical
Hot Lumen Output (Combined):	Up to 26,700 lm
Optics:	High Efficiency Diffuser
Beam Angle:	60°
Beam Distribution:	Symmetrical Direct Illumination
CCT:	2,800 - 6,500K (+/- 200K)
CRI:	Up to 97
TLCI:	Up to 97
Sound Level:	24.6 dB
Lamp Life:	L70 at 50,000 hours



Chroma-Q®
BRILLIANT SOLUTIONS

Specification Sheet - Version: 1.7
Chroma-Q® Space Force
Low Profile, Lightweight, & Powerful
Part No: CHSPFV

DIMENSIONS

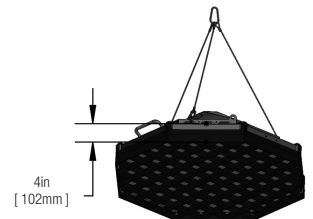
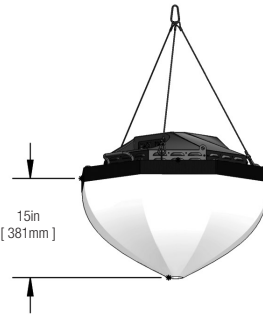
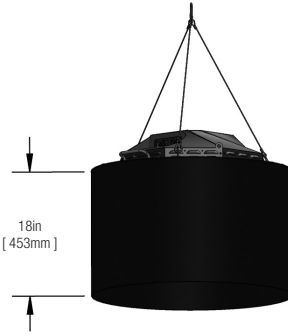
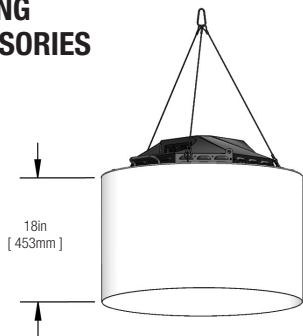


3X Ø .53 [13.5]
MOUNTING HOLES

LOW PROFILE HANGING BRACKET ACCESSORY

MANUAL YOKE ACCESSORY

HANGING ACCESSORIES



Chroma-Q and all associated product names are recognised trademarks, for more information visit www.chroma-q.com/trademarks. The rights and ownership of all trademarks are recognised. Whilst every effort has been made to ensure that the information is correct, Chroma-Q accepts no liability for errors or omissions. Technical specifications and data are provided for guidance only. Because we constantly aim to improve our products, we reserve the right to amend or alter at any time and without prior notice, the specifications of any product. E&OE.